

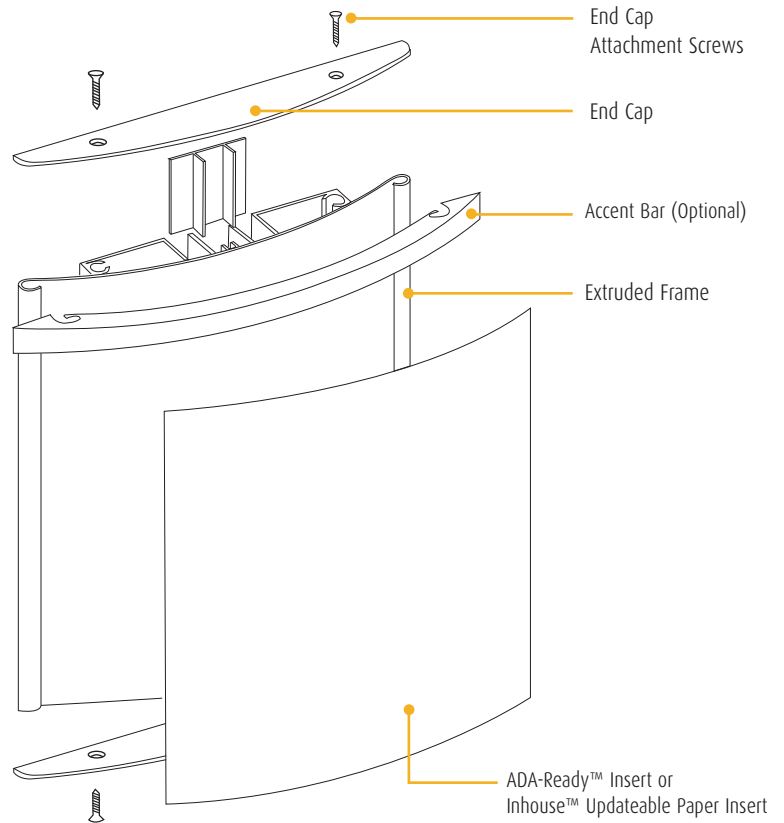
Horizon

Horizon is a solution comprised of anodized aluminum extrusions that provide flexibility with a distinguished look. It is available with or without a decorative accent bar and can be customized for your unique environment.

Horizon features standard interior signage, including name plates, wall mounts, directionals, projecting and suspended signs. Horizon includes ADA-Ready™ panels, graphic panels and all sign components can be finished with any of ASI's 140 standard paint colors. Additionally, Horizon is made from aluminum which can be easily recycled at the end of the life of the sign.

Product Features

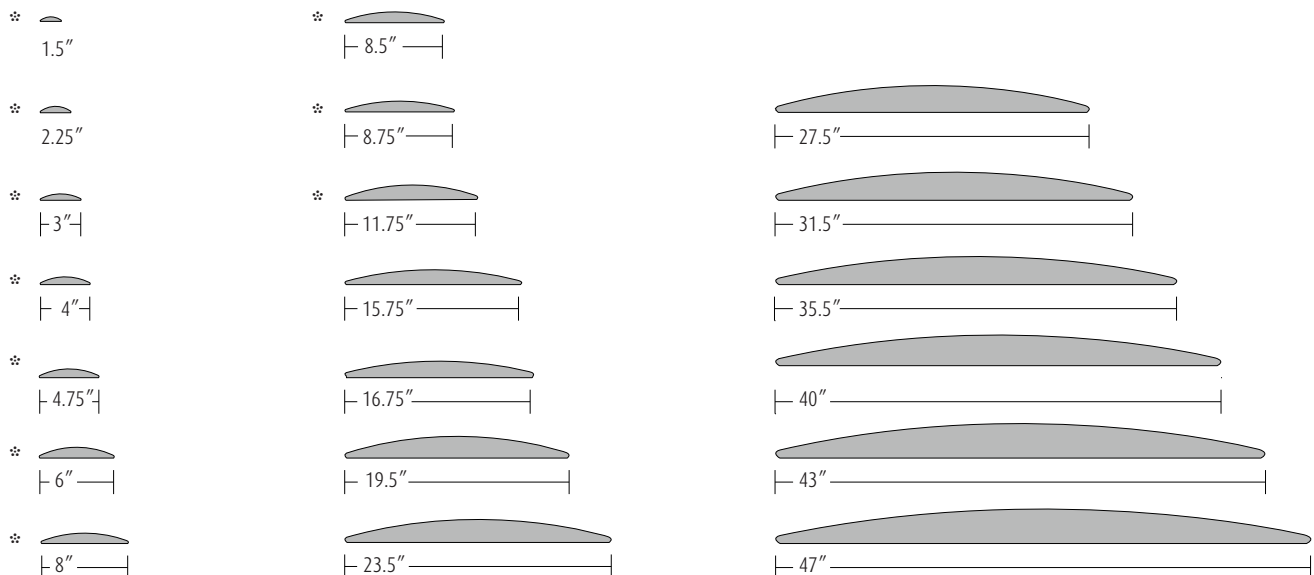
- Versatile, expandable, changeable system
- Front-loading interchangeable aluminum, graphic or ADA-Ready™ inserts
- Inhouse™ updateable paper inserts available
- Single or double-sided options
- Five standard anodized accent colors or 140 standard paint colors
- Powder-coated simulated wood grain finishes available



Extruded Frame Width Sizes

Sizes are nominal

* accents available



Versatile Designs for Any Environment



Basic Horizon

Horizon is featured here as a basic extruded frame solution with ADA-Ready™ and paper inserts to create an economical signage solution.



Horizon with Design Accents

Accentuate Horizon by adding accent bars anywhere on the face of the sign. Accents are available with a variety of finish options.



Customized Horizon

Customize Horizon with a variety of materials to complement your interior finishes to create a unique design.